



APK Series

PROPELLER FANS



Propeller Fans – APK Series



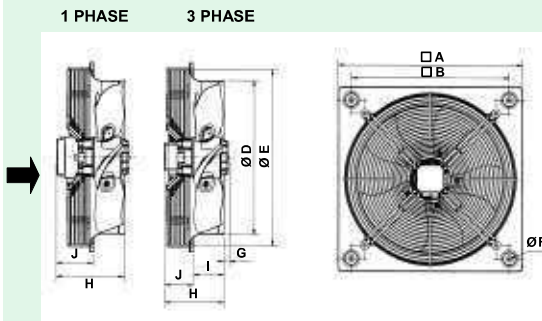
- Propeller fan for wall or panel mounting to convey air directly to the outside.
- Sickle Blade impellers, in conjunction with the external rotor motors.
- Wall plate is made of high grade galvanized sheet steel, with painted finish.
- Statically and dynamically balanced to ISO 1940 standard.
- Low noise level with high efficiency.
- Accessories such as speed controller and mounting accessories can be supplied upon request.
- Performance of 710-1000 are not AMCA licensed.



Kruger Ventilation Industries certifies that the **APK series** shown herein is licensed to bear the AMCA Seal. The ratings shown are based on tests and procedures performed in accordance with AMCA publication 211 and comply with the requirements of the AMCA Certified Ratings Program.

Dimensions – 50Hz

315 - 710



Model	□A	□B	∅D	∅E	∅F	G	H	I	J	Wt (kg)
APK 315 4P-1 1S	400	330	320	365	10	-	149	68	82	7
APK 355 4P-1 1S	450	380	363	411	10	-	156	75	82	7.5
APK 400 4P-1 1S	500	420	410	464	10	12	200	78	122	9
APK 450 4P-1 1S	560	480	457	522	10	-	204	91	114	11.5
APK 500 4P-1 1S	630	560	512	572	10	13	201	97	104	16
APK 500 6P-1 1S	630	560	512	572	10	-	201	97	104	16
APK 560 6P-1 1S	710	630	570	649	10	-	213	99	114	21.5
APK 560 6P-3 1S	710	630	570	649	10	-	188	99	89	21.5
APK 630 4P-3 1S	800	710	640	730	12	25	182	103	79	24
APK 630 6P-3 1S	800	710	640	730	12	7	182	103	79	24
APK 710 6P-3 1S	900	800	720	810	12	11	207	92	115	27

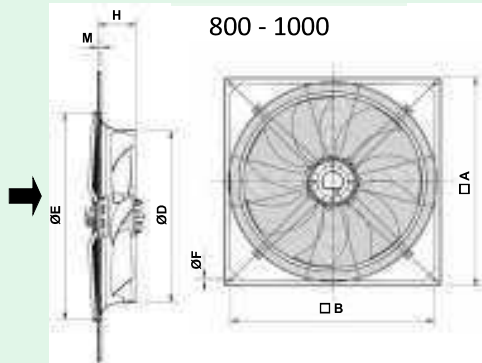
Technical Data – 50Hz

Model	Max Q m³/h	Power W	Motor Protection	Motor	N° Pole	Hz	Max. Current in AMP		Insulation Class	dB (A) at 3m	RPM
							230V	400V			
APK 315 4P-1 1S	2048	120	IP54	Single Phase	4	50	0.53	-	F	47	1400
APK 355 4P-1 1S	2768	120	IP54	Single Phase	4	50	0.55	-	F	53	1400
APK 400 4P-1 1S	4870	290	IP54	Single Phase	4	50	1.2	-	F	54	1360
APK 450 4P-1 1S	6516	380	IP54	Single Phase	4	50	2.0	-	F	58	1370
APK 500 4P-1 1S	8752	850	IP54	Single Phase	4	50	3.8	-	F	63	1350
APK 500 6P-1 1S	5785	310	IP54	Single Phase	6	50	1.3	-	F	54	870
APK 560 6P-1 1S	8150	410	IP54	Single Phase	6	50	1.8	-	F	55	820
APK 560 6P-3 1S	8366	450	IP54	Three Phase	6	50	-	0.9	F	55	860
APK 630 4P-3 1S	12272	1400	IP54	Three Phase	4	50	-	2.5	F	67	1330
APK 630 6P-3 1S	11423	740	IP54	Three Phase	6	50	-	1.5	F	57	880
APK 710 6P-3 1S	15145	1000	IP54	Three Phase	6	50	-	2.6	F	60	920

Propeller Fans – APK Series



Dimensions – 50Hz



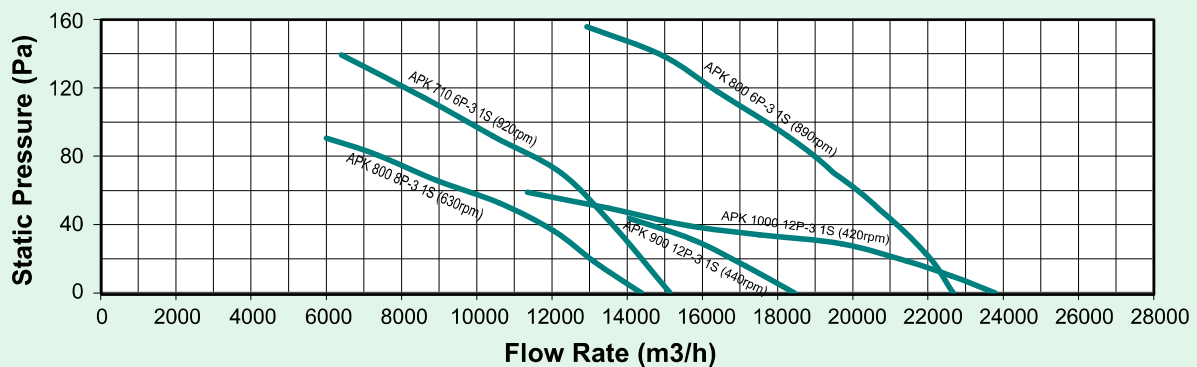
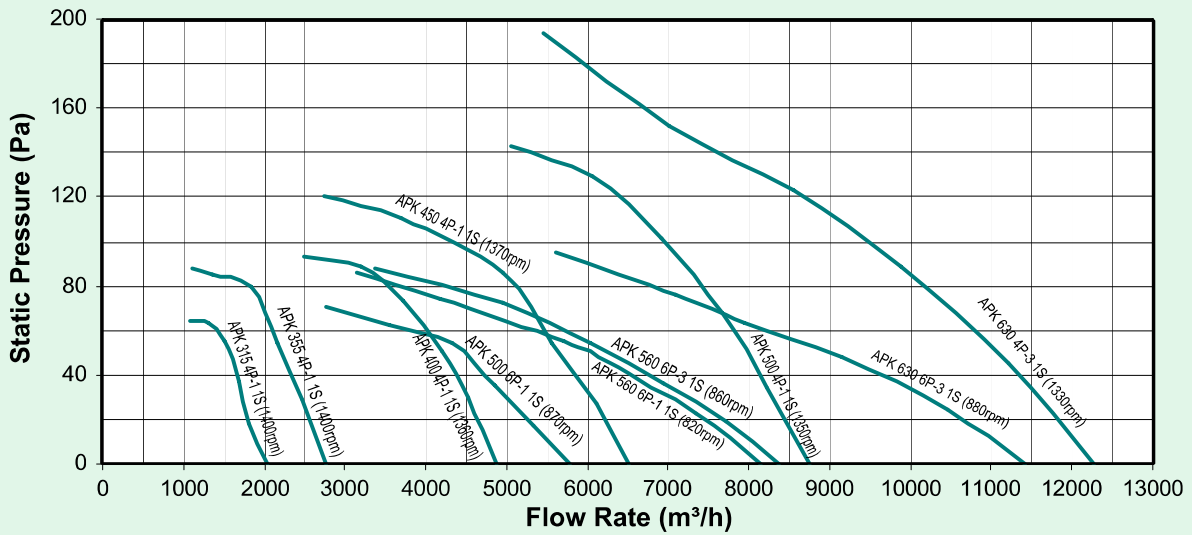
800 - 1000

Model	□A	□B	ØD	ØE	ØF	H	M	Wt (kg)
APK 800 6P-3 1S	970	910	797	960	14.5	170	17	46
APK 800 8P-3 1S	970	910	797	960	14.5	170	17	45
APK 900 12P-3 1S	1070	1010	914	1115	14.5	210	22	55
APK 1000 12P-3 1S	1170	1110	1000	1140	14.5	210	22	61

Technical Data – 50Hz

Model	Max Q m³/h	Power W	Motor Protection	Motor	N° Pole	Hz	Max. Current in AMP at 400V	Insulation Class	dB (A) at 3m	RPM
APK 800 6P-3 1S	22672	1900	IP54	Three Phase	6	50	3.5	F	61	890
APK 800 8P-3 1S	14378	760	IP54	Three Phase	8	50	1.83	F	54	630
APK 900 12P-3 1S	18439	690	IP54	Three Phase	12	50	2.2	F	49	440
APK 1000 12P-3 1S	23794	890	IP54	Three Phase	12	50	1.9	F	50	420

Performance Data – 50Hz



- Performance certified is for installation type A – Free inlet, Free outlet.
- Performance ratings do not include the effects of appurtenances (accessories).
- Speed (RPM) shown is nominal. Performance is based on actual speed of test.



● SINGAPORE

KRUGER VENTILATION INDUSTRIES PTE LTD

No. 17, Tuas Avenue 10
Singapore 639141
Tel. +65 68611577 - Fax +65 68613577
Email: mktg@krugerasia.com
Website: www.krugerfan.com

● MALAYSIA

KRUVENT INDUSTRIES (M) SDN BHD

Lot 850, Jalan Subang 7, Taman Perindustrian Subang,
47500, Subang Jaya, Selangor D.E.
Tel. +603 80743399 - Fax +603 80743388
Email: mktg@kruger.com.my

● BEIJING

BEIJING KRUGER VENTILATION CO. LTD

No. 1A, South Industrial Area,
Beijing Economical And Technological
Development Area, Beijing China 100176
Tel. +86 10-67881366 - Fax +86 10-67880566
Email: krugerbj@krugercn.com

● HONG KONG

KRUGER VENTILATION (HONG KONG) LIMITED

Flat C, 9/F, Yeung Yiu Chung (No.8) Industrial Building,
20 Wang Hoi Road, Kowloon Bay, Kowloon, Hong Kong
Tel. +852 22469182 - Fax +852 22469187
Email: info@kruger.com.hk

● WUHAN

WUHAN KRUGER VENTILATION CO. LTD

No. 805, Huian Ave, Dongxihu District,
Wuhan, Hubei, P.R. China 430000
Tel. +86 27- 83248840/83060522/83097505
Fax +86 27- 83261886
Email: whkruger@krugercn.com

● PHILIPPINES

KRUGER M&E INDUSTRIES CORPORATION

FAPIC Compound, E. Rodriguez Ave.
Tunasan, Muntinlupa City, Philippines 1773
Tel. +63 2-8622892/3/4/6, 5534060 - Fax +63 2-8622891
Email: mktg@krugerph.net

● INDONESIA

P.T. KRUGER VENTILATION INDONESIA

JL. Teuku Umar No.20,
Karawaci - Tangerang 15115, Indonesia
Tel. +62 21-5512288/5513557 - Fax +62 21-5513502
Email: mktg@krugerindo.co.id

● KOREA

NEOMATE TECHNOLOGY & CONSULTING CO. LTD

2-1010, Ace High Tech City B/D, 54-66 Mulla-dong 3-ga
Yeongdeungpo-gu, Seoul, Korea
Tel. +82-2-2679-2052 - Fax. +82-2-2679-2174
Email: y7890@daum.net

● DUBAI

KRUGER VENTILATION INDUSTRIES, GULF BRANCH

Jebel Ali Free Zone Area (JAFZA)
P.O. Box No. 262949, Dubai, UAE
Tel. +971 4 8832017 - Fax. +971 4 8832018
Email: johncs@Krugerasia.com

● SINGAPORE

KRUGER ENGINEERING PTE LTD

No. 17, Tuas Avenue 10
Singapore 639141
Tel. +65 68631191 - Fax +65 68631151
Email: mktg@krugerasia.com

● THAILAND

KRUGER VENTILATION IND. (THAILAND) CO. LTD

30/105 Moo 1 Sinsakorn Industrial Estate
Chetsadawithi Road, Khok Kham Mueng, Samuthsakorn 74000, Thailand
Tel. +662 1050399 - Fax + 662 1050370-2
Email: mktg@kruger.co.th

● GUANGZHOU

GUANGZHOU KRUGER VENTILATION CO. LTD

No. 9 Huahui Road, Huashan
Huadu, Guangzhou, P.R. China 510880
Tel. +86 20-86786070 - Fax +86 20-86786001/86786500
Email: gzkru@krugercn.com

● SHANGHAI

SHANGHAI KRUGER VENTILATION CO. LTD

No. 500 Yuanguo Road, Anting, Jiading,
Shanghai 201814 P.R. China
Tel. +86 21-69573266 - Fax +86 21-69573296
Email: shkruger@krugercn.com

● TAIPEI

KRUGER VENTILATION (TAIWAN) CO. LTD

No. 157, Ping-an Rd, Hengfeng Village,
Dayuan Shiang Taoyuan County 337, Taiwan(ROC)
Tel. +886 3-3859119 - Fax +886 3-3859118
Email: kyyang@krugertwn.com.tw

● AUSTRALIA

S&P-KRUGER AUSTRALIA PTY LTD

2 Cunningham St,
Moorebank N.S.W. 2170
Tel. +61 2-98227747 - Fax +61 2-98227757
Email: info@sandpkruger.com.au

● INDIA

KRUGER VENTILATION INDUSTRIES (INDIA) PVT LTD

Kruger Centre, Mumbai-Nasik Highway,
Atgaon, Shahapur, Thane 421304, Maharashtra, India
Tel. +91 2527 240170 - Fax +91 2527 240075
Email: sales@krugerindia.com

● INDIA (NORTH)

KRUGER VENTILATION INDUSTRIES (NORTH INDIA) PVT LTD

Plot No. - 191, Sector - 59, Ballabgarh, Faridabad - 121 004, Haryana, India
Tel. +91-9958991660/9717449696/8586966303
Fax. +91-1294135820
Email: service@krugerindia.com

● VIETNAM

KRUGER VENTILATION INDUSTRIES (VIETNAM) CO. LTD

Lot A4, D1 Road, Bourbon An Hoa IP, An Hoa,
Trang Bang Dist., Tay Ninh Province, Vietnam
Tel. +84-66 3585200/01/02 - Fax +84-66 3585199
Email: mktg@krugervn.com

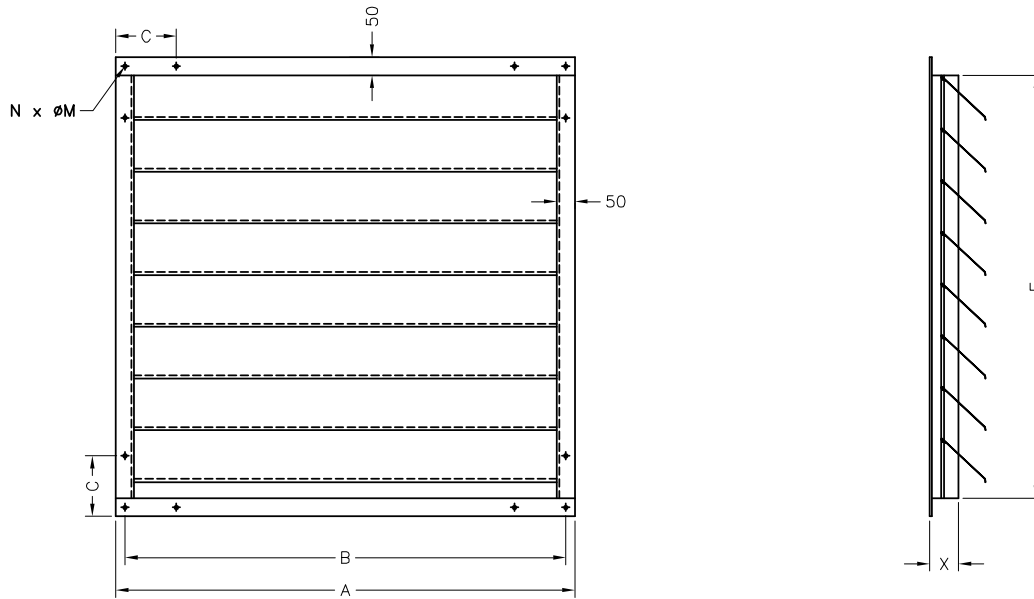
The company is always improving and developing its products, therefore the company reserves the right of making changes to the illustrated products. Certified dimension can be provided upon request.



APK GRAVITY SHUTTER

Gravity shutter

Shutter open automatically with air flow. Frame and shutter made of galvanized steel with epoxy powder coating



MODEL	□A	□B	C	F	X	N x M
APK 315	400	365	-	300	70	4 x Ø9
APK 355	450	415	-	350	70	4 x Ø9
APK 400	500	465	-	400	70	4 x Ø9
APK 450	560	525	-	460	70	4 x Ø11
APK 500	630	-	150	530	70	8 x Ø11
APK 560	710	-	150	610	70	8 x Ø11
APK 630	800	-	150	700	70	8 x Ø11
APK 710	900	-	150	800	70	8 x Ø11

All Dimensions in mm.